



## SG290P (BF)

60-CELL LINE



Peimar polycrystalline solar panels made in Italy provide customers with a perfect combination of high-efficiency and versatility. Thanks to the use of high-quality solar cells, our panels achieve outstanding performance and ensure maximum production output even under poor lighting and weather conditions. The strong yet ultra-light frames, available in silver or black make installation easy but robust in either residential, commercial or large-scale settings.



**30** YEAR **LINEAR POWER** WARRANTY

**20** YEAR **PRODUCT** WARRANTY



**PID FREE**



MODULE FIRE PERFORMANCE: **CLASS 1**

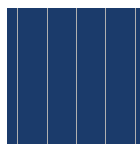


**ANTI-REFLECTIVE GLASS**



**QBE INSURANCE**  
Product Liability Insurance QBE

### CELLS



60 CELLS  
POLY 5BB

156.75x156.75 mm / 6.17x6.17"

### FRAME



COMPACT AND STURDY | **35 / 40mm**

ANCHORABLE ALSO ON THE SHORT SIDE <sup>(5)</sup>

## ELECTRICAL CHARACTERISTICS (STC) <sup>(1)</sup>

|  |  |
|--|--|
| Nominal Output (Pmax) <sup>(2)</sup>       |  |
| Sorting Tolerance                          |  |
| Voltage at Pmax (Vmp)                      |  |
| Current at Pmax (Imp)                      |  |
| Open Circuit Voltage (Voc) <sup>(2)</sup>  |  |
| Short Circuit Current (Isc) <sup>(2)</sup> |  |
| Maximum System Voltage                     |  |
| Maximum Series Fuse Rating                 |  |
| Module Efficiency                          |  |
| Protection class against electric shock    |  |

| SG290P (BF)                                |          |
|--|----------|
| Nominal Output (Pmax) <sup>(2)</sup>       | 290 W    |
| Sorting Tolerance                          | 0/+5 W   |
| Voltage at Pmax (Vmp)                      | 32.2 V   |
| Current at Pmax (Imp)                      | 9.01 A   |
| Open Circuit Voltage (Voc) <sup>(2)</sup>  | 39.28 V  |
| Short Circuit Current (Isc) <sup>(2)</sup> | 9.64 A   |
| Maximum System Voltage                     | 1500 V   |
| Maximum Series Fuse Rating                 | 15 A     |
| Module Efficiency                          | 17.83%   |
| Protection class against electric shock    | Class II |

## MECHANICAL CHARACTERISTICS

|                           |   |
|---------------------------|---|
| Solar Cells               | 60 (6x10) polycrystalline                     |
| Solar Cells Size          | 156.75x156.75 mm / 6.17x6.17"                 |
| Front Cover               | 3.2 mm / 0.13" thick, low iron tempered glass |
| Back Cover                | TPT (Tedlar-PET-Tedlar)                       |
| Encapsulant               | EVA (Ethylene vinyl acetate)                  |
| Frame                     | Anodized aluminium alloy, double wall         |
| Frame finishing           | Black   |
| Backsheet finishing       | White   |
| Diodes                    | 3 Bypass diodes serviceable                   |
| Junction Box              | IP67 rated                                    |
| Connector                 | MC4 or compatible connector                   |
| Cables Length             | 900 mm / 35.43"                               |
| Cables Section            | 4.0 mm <sup>2</sup> / 0.006 in <sup>2</sup>   |
| Dimensions                | 1640x992x35/40 mm / 64.57x39.06x 1.38/1.57"   |
| Weight                    | 18 Kg / 39.68 lbs                             |
| Max Load (Test Load) - SF | 5400 Pa - 1.5 <sup>(5)</sup>                  |

## TEMPERATURE CHARACTERISTICS

|                                 |                |
|---------------------------------|----------------|
| NMOT <sup>(3)</sup>             | 45±2 °C        |
| Temperature Coefficient of Pmax | -0.39 %/°C     |
| Temperature Coefficient of Voc  | -0.28 %/°C     |
| Temperature Coefficient of Isc  | 0.042 %/°C     |
| Operating Temperature           | -40 °C ~ +85°C |

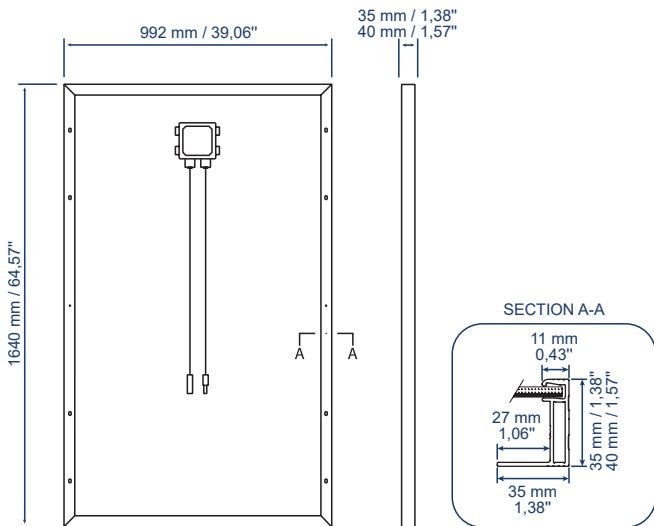
## PACKAGING <sup>(3)</sup>

|                   |  |
|-------------------|--|
| Pallet dimensions | 1700x1200x1200 mm / 66.93x47.24x47.24"               |
| Pieces per pallet | 30 (35mm) / 27 (40mm)                                |
| Weight            | 570 Kg / 1256 lbs (35mm)<br>516 Kg / 1138 lbs (40mm) |

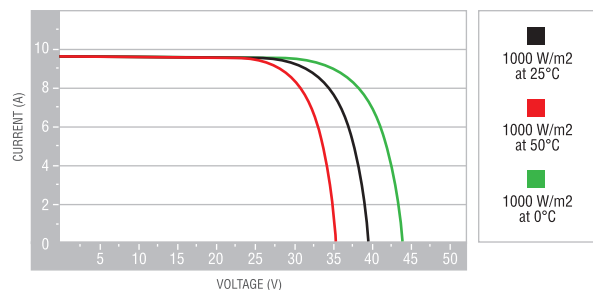
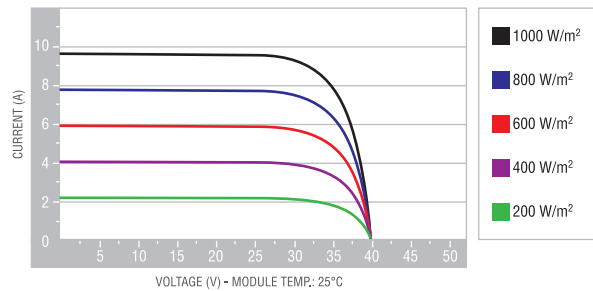
## CERTIFICATIONS

|                        |  |
|------------------------|--|
| Fire Resistance Rating | Class of reaction to fire 1 (UNI 9177) |
| PID free               | IEC TS 62804-1:2015                    |
| Salt mist              | IEC 61701:2011                         |
| Ammonia                | IEC 62716:2013                         |

## DIMENSIONS



## CURRENT/VOLTAGE CHARACTERISTICS



1. STC: (Standard Test Condition) Irradiance 1000W/m<sup>2</sup>; Module Temperature 25°C; Air Mass 1.5

2. Pmax, Voc, Isc measurement tolerance: ±3%

3. NMOT: Nominal Module Operating Temperature; Irradiance 800W/m<sup>2</sup>; Air 20°C; Wind speed 1m/s

4. Pallets can be stacked up to two

5. Consult the installation manual for the relative mounting configurations