

ASSURED ENERGY
Product Liability Insurance QBE



30 YEAR LINEAR POWER WARRANTY
ANNI GARANZIA LINEARE PRODUZIONE

20 YEAR PRODUCT WARRANTY
ANNI GARANZIA PRODOTTO

RESIDENTIAL LINE

SG285P

 "MADE IN ITALY" MODULE

Peimar polycrystalline solar panels made in Italy provide customers with a perfect combination of high-efficiency and versatility. Thanks to the use of high-quality solar cells, our panels achieve outstanding performance and ensure maximum production output even under poor lighting and weather conditions. The strong yet ultra-light frames, available in silver or black make installation easy but robust in either residential, commercial or large-scale settings.



PID FREE



MODULE FIRE PERFORMANCE: **CLASS 1**



ANTI-REFLECTIVE GLASS



HAILSTORM RESISTANCE

CELLS

60
POLY



QTY:
60 CELLS
TYPE:
POLY 5BB
DIMENSION:
156.75x156.75 mm
6.17x6.17"

FRAME



BACKSHEET



JUNCTION BOX



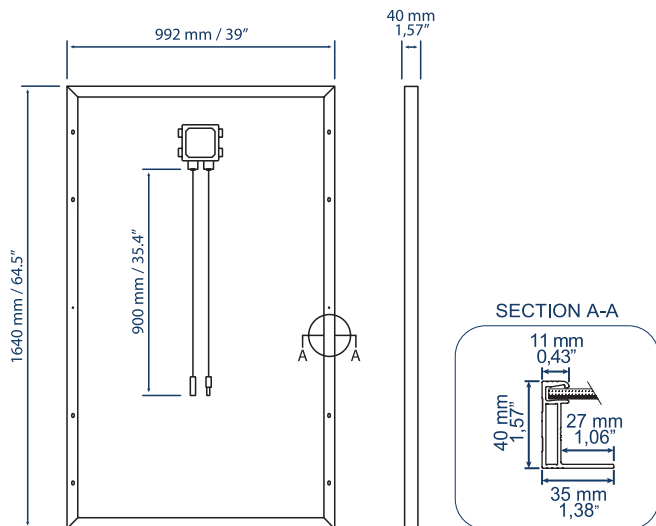
ELECTRICAL CHARACTERISTICS (STC)*

| | SG285P |
|-------------------------------|---------|
| Nominal Output (Pmax)** | 285 W |
| Power Tolerance | 0/+5 W |
| Voltage at Pmax (Vmp) | 31.98 V |
| Current at Pmax (Imp) | 8.92 A |
| Open Circuit Voltage (Voc)** | 39.02 V |
| Short Circuit Current (Isc)** | 9.55 A |
| Maximum System Voltage | 1500 V |
| Maximum Series Fuse Rating | 15 A |
| Module Efficiency | 17.52% |

MECHANICAL CHARACTERISTICS

| | |
|----------------------------|---|
| Solar Cells | 60 (6x10) polycrystalline |
| Solar Cells Size | 156.75x156.75 mm / 6.17x6.17" |
| Front Cover | 3.2 mm / 0.12" thick, low iron tempered glass |
| Back Cover | TPT (Tedlar-PET-Tedlar) |
| Encapsulant | EVA (Ethylene vinyl acetate) |
| Frame | Anodized aluminium alloy, double wall |
| Frame finishing | Silver / Black |
| Backsheet finishing | White |
| Diodes | 3 Bypass diodes serviceable |
| Junction Box | IP67 rated |
| Connector | MC4 or compatible connector |
| Cables Length | 900 mm / 35.4" |
| Cables Section | 4.0 mm ² / 0.006 in ² |
| Dimensions | 1640x992x40 mm / 64.5x39x1.57" |
| Weight | 18 Kg / 39.7 lb |
| Max. Load (Test Load) - SF | 5400 Pa - 1.5 |

DIMENSIONS



TEMPERATURE CHARACTERISTICS

| | |
|---------------------------------|----------------|
| NMOT*** | 45±2 °C |
| Temperature Coefficient of Pmax | -0.43 %/°C |
| Temperature Coefficient of Voc | -0.32 %/°C |
| Temperature Coefficient of Isc | 0.047 %/°C |
| Operating Temperature | -40 °C ~ +85°C |

PACKAGING****

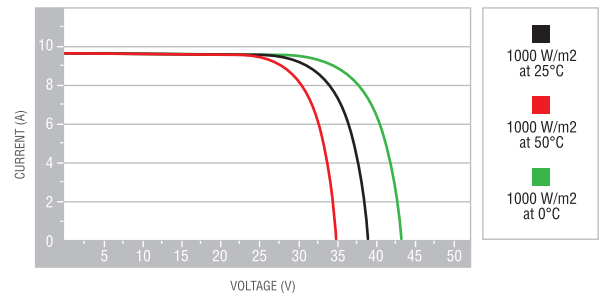
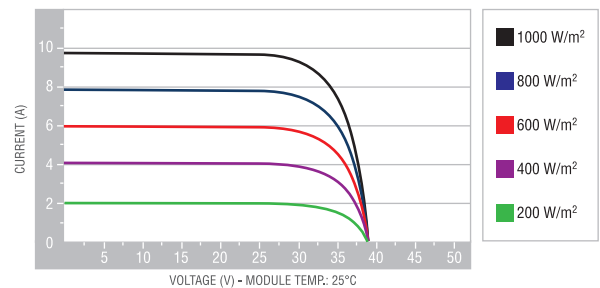
| | |
|-------------------|-------------------------------|
| Pallet dimensions | 1700x1200x1200 mm / 67x47x47" |
| Pieces per pallet | 27 |
| Weight | 516 Kg / 1138 lb |

CERTIFICATIONS

| | |
|------------------------|---------------------|
| Fire Resistance Rating | 1 (UNI 9177) |
| PID free | IEC TS 62804-1:2015 |

CURRENT/VOLTAGE CHARACTERISTICS

Values apply to modules: SG285P



*STC: (Standard Test Condition) Irradiance 1000W/m²; Module Temperature 25°C; Air Mass 1.5

**Pmax, Voc, Isc measurement tolerance: ±3%

***NMOT: Nominal Module Operating Temperature: Sun 800W/m²; Air 20°C; Wind speed 1m/s

****Pallets can be stacked up to two

It is important to point out, that all technical specifications, information and figures contained in this datasheet are estimated values. Peimar reserves the right to change the technical specifications, information and figures contained in this document at any time without notice.

EN_09/2019

PEIMAR
ITALIAN PHOTOVOLTAIC MODULES

Via Creta 72, 25124 Brescia, ITALY • www.peimar.com • info@peimar.com